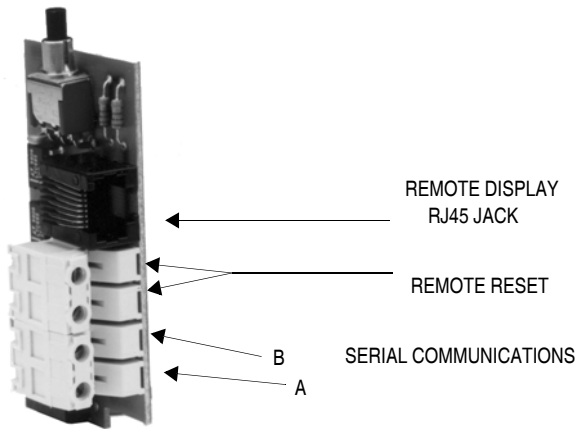


MicroM OPTIONAL PLUG-IN BOARDS MED SERIES

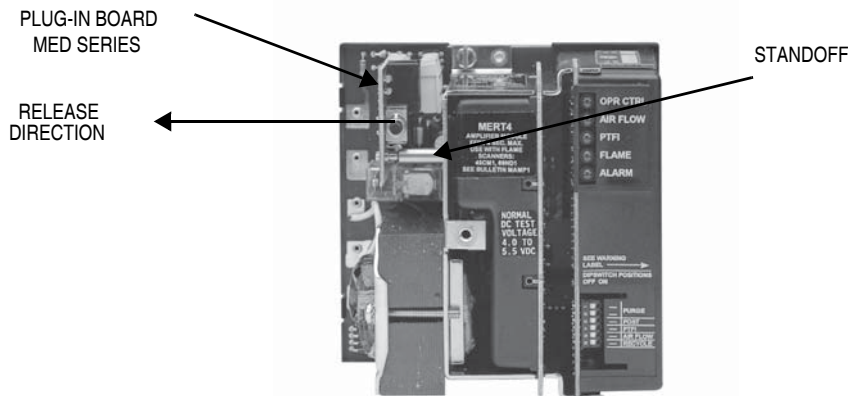



OPTIONAL PLUG-IN BOARDS

Description

The MicroM provides remote reset, remote alpha-numeric display, and serial communications as stand-alone or in combination through the employment of optional boards. Refer to ORDERING INFORMATION for MicroM Chassis types for units that have pre-installed functions.

FIGURE 1. PLUG-IN BOARD LOCATION AND INSTALLATION



 **WARNING: Disconnect power before servicing.**

Installation

For upgrading standard units or for replacing the installed plug-in board, grasp plug-in board at the top and pull away from the chassis, freeing the unit from the retaining standoff. Lift plug-in board up and away from connector located on chassis board. Guide new plug-in board into the same connector and push onto standoff.

Install dust cover with shroud to accommodate external wiring.

Refer to bulletin MC-5000 for a complete description.



Optional Plug-In Board Modules:	
Optional Plug-In Board	Description
MED1	Standard local reset switch
MED2	Same as MED1 with display output
MED3	Same as MED1 with remote reset
MED4	Same as MED1 with display output and remote reset
MED5	Same as MED1 with display output and communications
MED6	Same as MED1 with display output, remote reset and communications
MED7	Same as MED1 with communications

Remote Reset

The MEC120R, MEC120RC, or any chassis type with the appropriate plug-in board installed provides remote reset capabilities in the event of the lockout condition. A remote reset switch consists of a dry contact such as a remote momentary push-button wired to the two (2) terminals located on the plug-in board as shown on the front page. The reset switch will also force the MicroM to recycle if depressed and released during the purge or run period.



CAUTION: Remote reset is recommended only on a control solely for proved ignition programming (pilot ignited burner) or a control for use only with applications in which unburned fuel cannot accumulate and that is intended for installation in inaccessible locations such as open-flame, ceiling-suspended gas heaters.

REMOTE DISPLAY

The MicroM provides an interface to the optional ED510 display module. The ED510 connects to the MicroM through the plug-in board using a ED580 cable. The ED580 cable is available in 2, 4, or 8 foot lengths. Part number 129-145 -1 (4 ft.), -2 (8 ft.), -4 (2 ft.) is available for remote mounting the ED510 Display Module.

COMMUNICATIONS

In order to interface with upper level systems such as PLC's, the MicroM provides a communication interface utilizing a Modbus protocol. Communication is implemented using two wire, twisted pair RS485 at 4800 baud and is accessed through the appropriate plug-in optional board as shown on the front page. Polarity of lines A and B must be observed. Suggested cable is Belden 8761 or equivalent.



FIREYE®
3 Manchester Road
Derry, New Hampshire 03038 USA
www.fireeye.com

MOPT1
APRIL 8, 2013
Supersedes May 2, 2005