



# 19UVPS-2120 19UVPS-2220 POWER SUPPLY FOR 45UV5, 45RM1, 45RM2

## DESCRIPTION

The Fireeye 19UVPS Power Supply Module provides the power for the following Fireeye Family of high voltage scanners- 45UV5-1000, 45UV5-1101, 45RM1-1000, 45RM1-1001EX, 45RM1-1003, 45RM2-1000, 45RM2-1000EX, 45RM2-1001, 61-4892-2 (45RM1 Fiber-optic electronics assembly), 61-5234 (45RM2 Fiber-optic electronics assembly). The Power Supply Module provides sufficient power to accommodate up to six scanners at one time, and is designed to plug into an available slot in a standard 3U 19 inch rack. The Fireeye 19UVPS Power Supply Module now allows the specific models of the 45UV5, 45RM1, and 45RM2 scanners, listed above, to be used with the 25SU3-2000, -2100 amplifiers. A Front Panel Green LED is provided to indicate main power source is applied.

Fireeye offers a choice of two Power Supply Modules for the 45UV5, 45RM1, and 45RM2 scanners: 120 VAC Input (P/N 19UVPS-2120); 220 VAC Input (P/N 19UVPS-2220).

## CONNECTOR

The 19UVPS power supply requires either 60-2478 straight style screw terminal connector, or the 60-2480 Y style screw terminal connector. The connectors, ordered separately, will accept up to 12 AWG gauge wire. Each connector consists of 32 total terminals with 16 terminals on each side (Z and D). Refer to Figure 2 for the connector configuration.

## SCANNER WIRING

The scanner power terminals (terminal L and C or P and C) are wired to the appropriate terminals on the power supply module. The scanner shutter (terminal 1) and signal (terminal 14) wires are connected to the appropriate scanner input terminals of the 25SU3 amplifier. The scanner common terminal on the 25SU3 amplifier is then connected to the scanner common terminal on the 19UVPS power supply. Refer to Figures 3 and 4 for typical/suggested wiring configurations.

## SPECIFICATIONS

### Power Supply Module

CASE MATERIAL/FINISH—	Clear anodized aluminum cassette
MOUNTING—	Rack Mount
TEMPERATURE RANGE—	Operating: - 4° F to +140° F (-20° C to +60° C) Storage: - 4° F to +176° F (-20° C to +80° C)
HUMIDITY—	0% TO 85% R.H. non-condensing
PHYSICAL DIMENSIONS — (Figure 1)	
	Height: 5.00 inches (127 mm)
	Depth: 6.30 inches (160 mm)
	Width: 1.6 inches (40.24 mm) 8HP



**POWER CONSUMPTION—**

With One Scanner:	5 VA
With Two Scanners:	7.5 VA
With Three Scanners:	10 VA
With Four Scanners:	12.5 VA
With Five Scanners:	15 VA
With Six Scanners:	17.5 VA

**SHIPPING WEIGHT—** 2 lb. (908 grams)

**FRONT PANEL STATUS LED—** One status LED: Indicates Power to the Supply is ON (Green)

**INPUT SPECIFICATION**

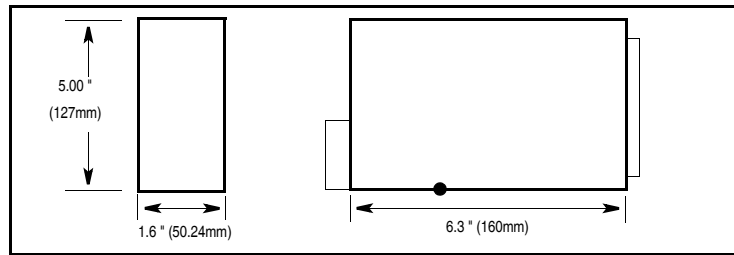
Input voltage +10%,-15%:	120 VAC (19UVPS-2120) 220 VAC (19UVPS-2220)
Input frequency:	50/60 Hz

**FUSE SPECIFICATION:** 1.6A 260 VAC, Fireye P/N 23-184

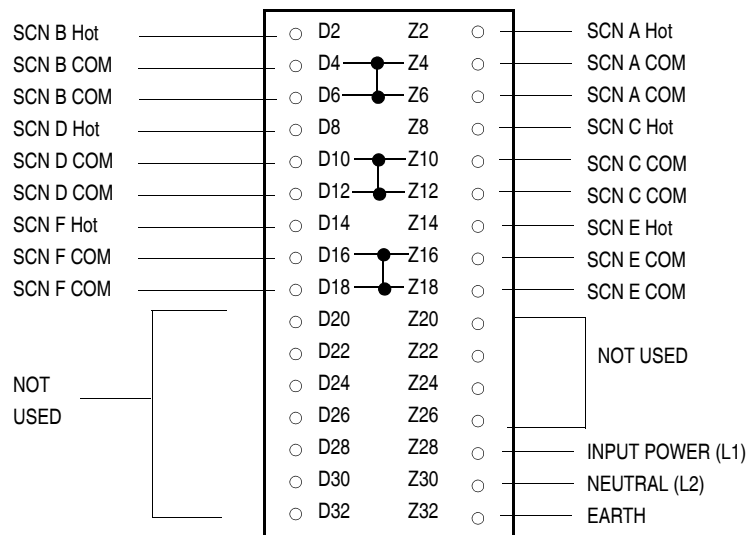
**SCANNER SUPPLY VOLTAGE:**

- 120VAC - 140 VAC when no scanner connected
- 130VAC-150 VAC when using 45UV5 manufactured after 1994
- 200VAC - 250 VAC when using 45UV5 manufactured before 1994
- 150VAC - 180 VAC when using 45RM1
- 55VAC - 75 VAC when using 45RM2

**FIGURE 1. 19UVPS-2120, 2220 DIMENSIONS**



**FIGURE 2. PIN ALLOCATION**



<b>Part Number</b>	<b>Input Power</b>
19UVPS-2120	120 VAC
19UVPS-2220	220 VAC



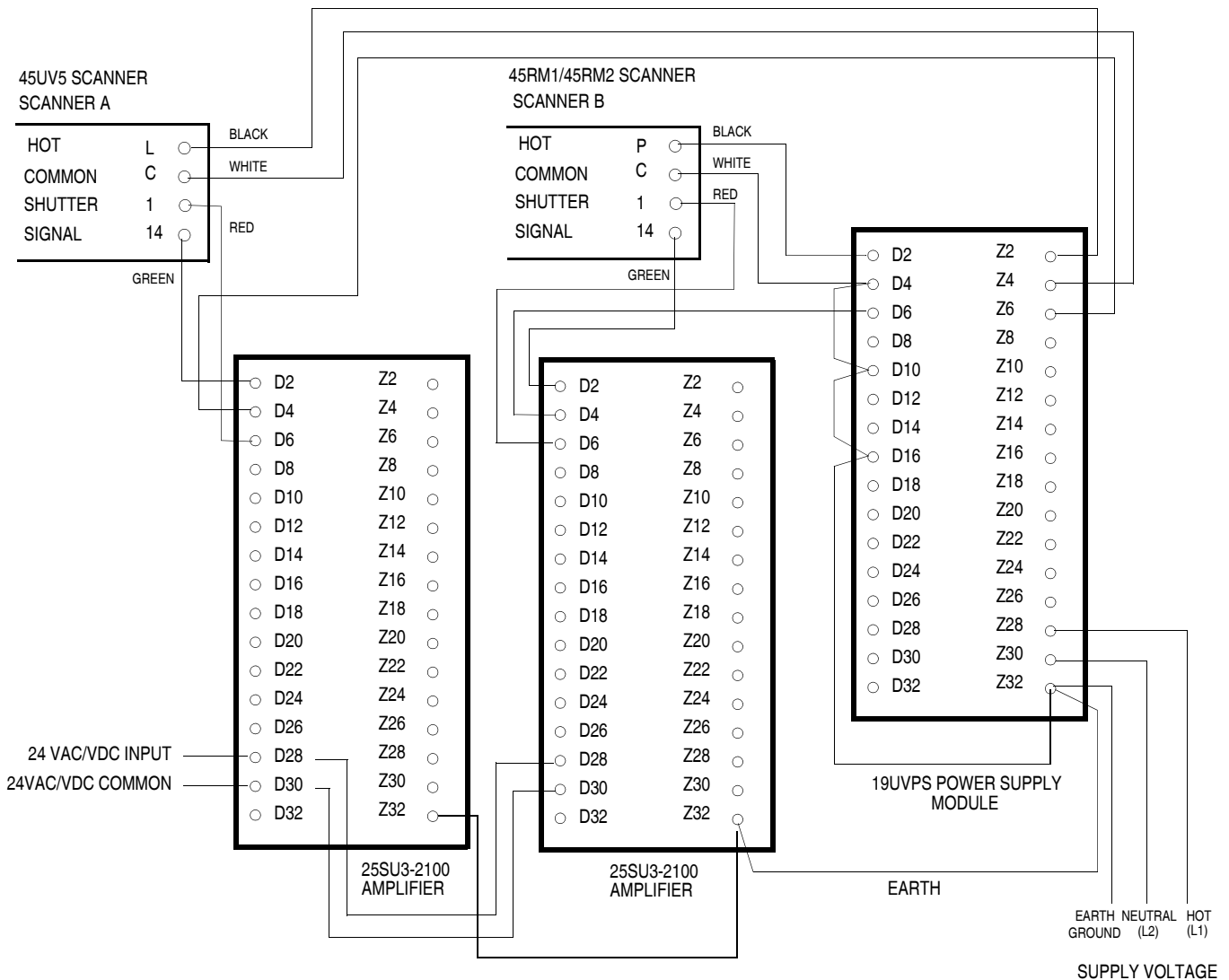
## INSTALLATION

The manual for the 25SU3-2000, -2100 Amplifier should be referenced when wiring either the 19UVPS-2120 or 19UVPS-2220 Power Supply Module.



**CAUTION: DO NOT REMOVE OR INSTALL THE 19UVPS-2120 OR 19UVPS-2220 POWER SUPPLY MODULE WITH POWER ON. THIS MAY RESULT IN POSSIBLE EQUIPMENT DAMAGE.**

**WIRING DIAGRAM 1 - TWO 25SU3-2000, -2100 AMPLIFIERS, ONE 19UVPS POWER SUPPLY (19UVPS-2120 or 19UVPS-2220), TWO HIGH VOLTAGE SCANNERS**

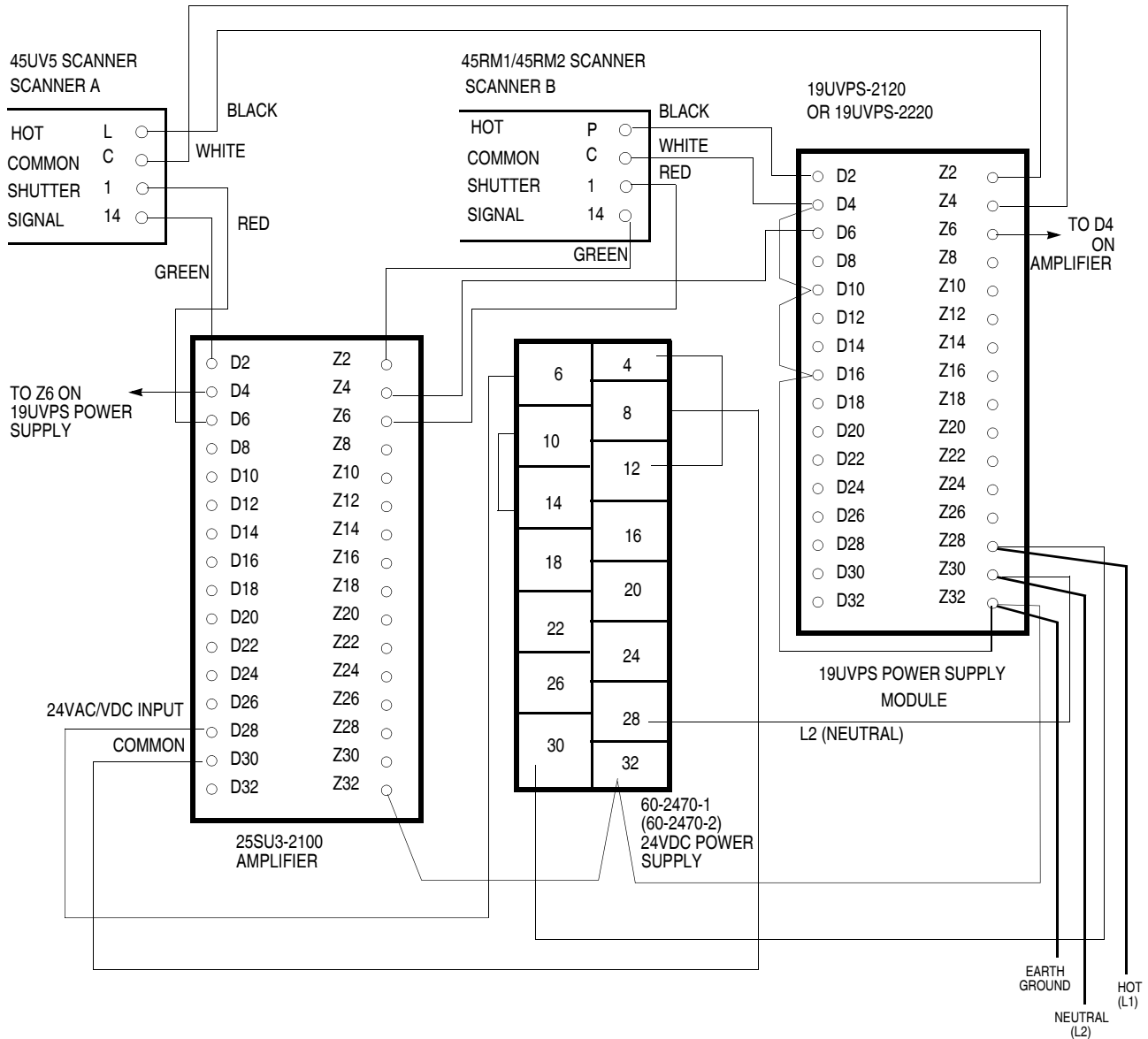


Part Number	Input Power
19UVPS-2120	120 VAC
19UVPS-2220	220 VAC

*Note: Connect scanner shield(s) to 25SU3 terminal D32 or Z32 (earth ground).*



**WIRING DIAGRAM 2- One 25SU3-2000, -2100 Amplifier, One 19UVPS Power Supply (19UVPS-2120 or 19UVPS-2220), Two High Voltage Scanners, One 24VDC Amplifier Power Supply (60-2470-1 or 60-2470-2).**



Part Number	Supply Voltage
19UVPS-2120	120 VAC
60-2470-1	120 VAC
19UVPS-2220	220 VAC
60-2470-2	220 VAC

*Note: Connect scanner shield(s) to 25SU3 terminal D32 or Z32 (earth ground).*



FIREYE, Inc.  
3 Manchester Road  
Derry, New Hampshire 03038  
www.fireye.com

CU-38  
APRIL 11, 2013  
Supersedes April 2000